

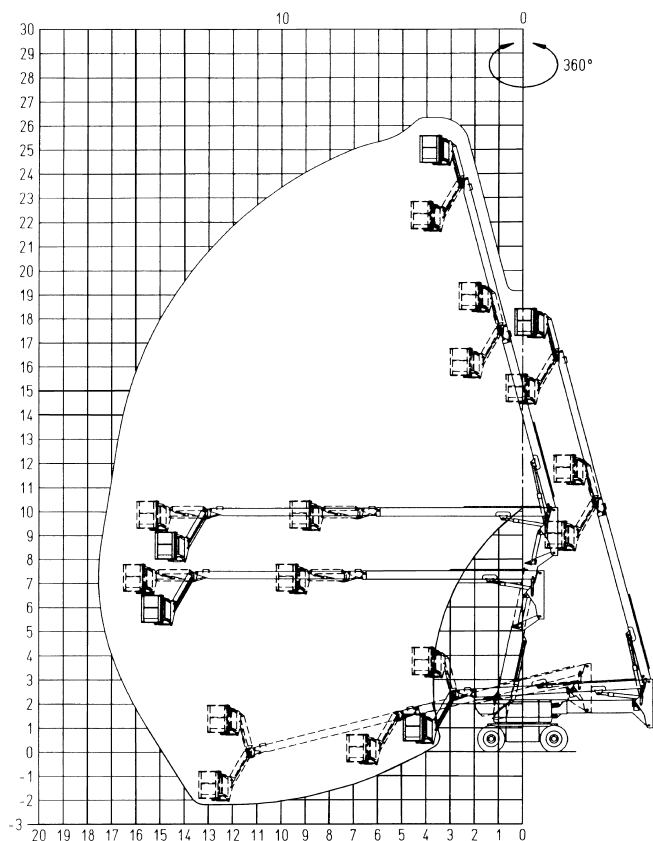


# RLX 280J

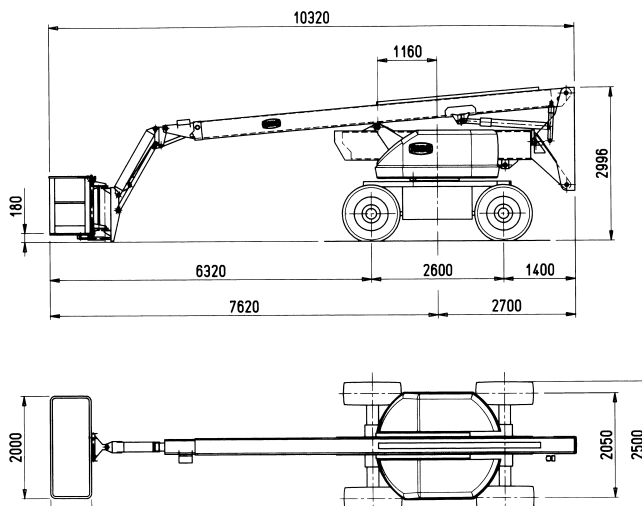
## SELF-PROPELLED AERIAL WORKING PLATFORM



- 1,8x1,1x0,9 meter aluminium basket with self-leveling system and 180° swing; integral dash-board with complete operating controls, levers and push-buttons, including diesel engine start/stop.
- Deutz air cooler diesel engine model F3L-1011, developing 43 HP (32 Kw) at 3000 rpm, inclusive of electric start/stop from the carrier and the basket. 140 liter fuel tank capacity.
- Controls from the carrier and the basket, inclusive of electric emergency pump and special valves for retracting and lowering both booms.
- Driving and steering front axle, oscillating type with negative type multiple brake disks.
- Driving and steering rear axle, rigid type with hydraulic motor and 2 speed reducer.
- Four single wheels, with 385/65 R 22,5 conventional tires.
- Hydraulic system with three medium pressure gear pumps for basket service and steering, 200 liter hydraulic oil tank with filtering system.
- 24 Volt electric system with 2 maintenance-free 140 Ah batteries.
- 360° continuously swinging superstructure with epicyclical reduction gear, hydraulic motor and negative multiple disks automatic brake.
- First boom with hydraulic lifting and telescoping cylinders and block valves; working angle from 0° to 78°. Second boom with hydraulic cylinder and block valve working from -14° to +75°.
- Standard safety devices including lock valves on all hydraulic cylinders, tilt device, basket automatic leveling system.



# RLX 280J



## DATI TECNICI / TECHNICAL DATA:

<b>PORTATA PIATTAFORMA SU 360° / CAPACITY ON 360°</b>	<b>230 kg.</b>
<b>DIMENSIONI PIATTAFORMA / BASKET DIMENSIONS</b>	<b>2 x 0,8 x 1,1 m.</b>
<b>ALTEZZA MASSIMA DI LAVORO / MAX WORKING HEIGHT</b>	<b>26,5 m.</b>
<b>ALTEZZA MASSIMA DI LAVORO CON TRASLAZIONE ATTIVA / IN MOVEMENT</b>	<b>~ 15,4 m.</b>
<b>VELOCITA' DI TRASFERIMENTO / MAX SPEED</b>	<b>~ 4,5 km/h</b>
<b>VELOCITA' DI TRASLAZIONE TRAINATA (con riduttore in folle) / MAX TOWING SPEED</b>	<b>20 km/h</b>
<b>PENDENZA MASSIMA SUPERABILE / MAX GRADEABILITY</b>	<b>37 %</b>
<b>CAPACITA' SERBATOIO CARBURANTE / FUEL TANK CAPACITY</b>	<b>140 litri</b>
<b>PNEUMATICI (convenzionali - riempiti di poliuretano espanso) / TIRES</b>	<b>385/65 R 22,5</b>
<b>PESO TOTALE / TOTAL WEIGHT</b>	<b>~16.000 kg.</b>

## OPTIONAL:

<b>PIATTAFORMA / BASKET</b>	<b>2,3 x 0,8 x 1,1 m.</b>
-----------------------------	---------------------------

Il costante miglioramento e i progressi tecnici, rendono necessaria la riserva del diritto di eseguire variazioni, nelle specifiche e negli equipaggiamenti, senza preavviso. Costant improvement and engineering progress makes it necessary that we reserve the right to make specification, equipment, and price changes without notice.

**autogru**  
**RIGO**  
s. p. a.

P.O. BOX 79 - 37015 DOMEGLIARA (VERONA) ITALIA  
TELEFONO 045 6861500 R.A. - FAX 045 6861114  
<http://www.rigo.com> - E-mail: [rigo@rigo.com](mailto:rigo@rigo.com)

PER INFORMAZIONI INFORMAZIONI RIVOLGERSI A:  
FOR INFORMATION PLEASE CONTACT: